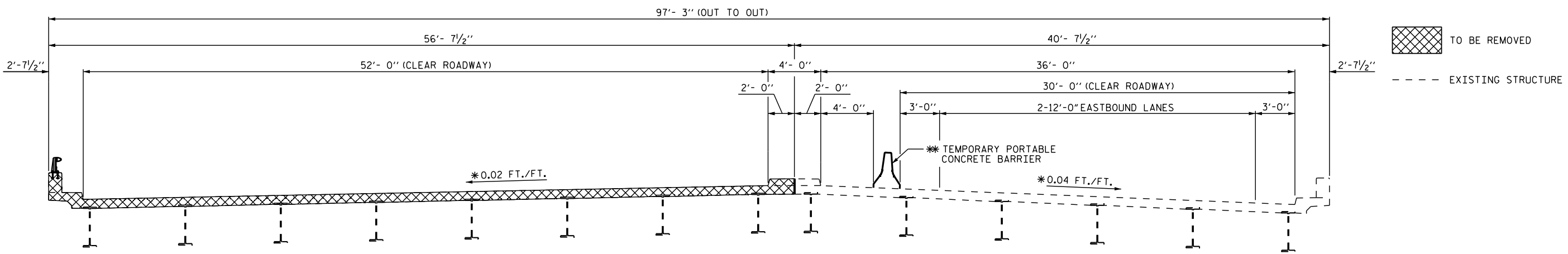
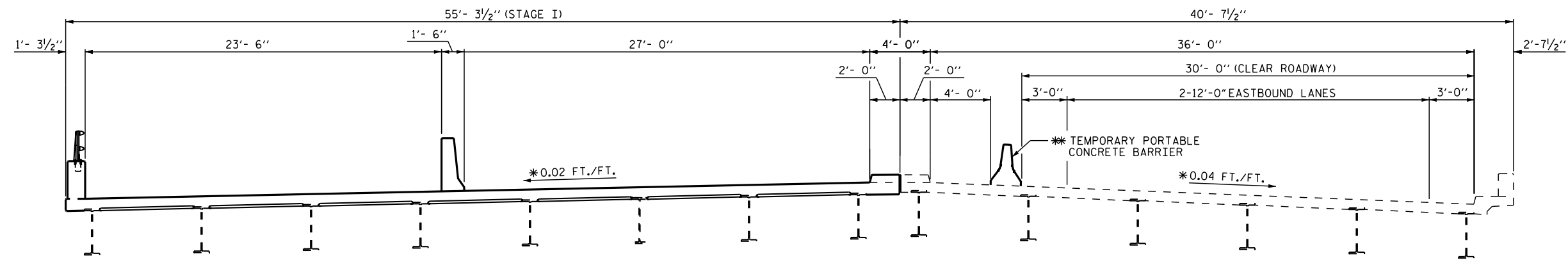


NOTES

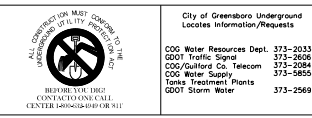
- * CROSS SLOPES SHOWN ARE FROM EXISTING PLANS. CROSS SLOPES FOR THE PROPOSED DECK SHALL MATCH EXISTING FIELD MEASURED CROSS SLOPES.
- ** TEMPORARY PORTABLE CONCRETE BARRIER AS WELL AS ANY ASSOCIATED ATTENUATORS AND ADVANCED WARNING SIGNS SHALL BE INCLUDED IN THE LUMP SUM COST FOR TRAFFIC CONTROL.



PHASE I - REMOVE DECK FROM WBL BRIDGE

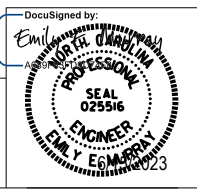


PHASE II - REPLACE WBL BRIDGE DECK (STAGE I)



City of Greensboro
 GIS DISCLAIMER
 Any objects on this map shown with a dotted line were not surveyed; they were compiled by photogrammetric methods, meeting national map accuracy standards, from aerial photography dated February 1991, available on the Geographic Information System (GIS) software used by the City of Greensboro.

VOLKERT
 5430 WADE PARK BLVD., SUITE 410
 RALEIGH, NC 27607
 (919) 854-0344
 NC LICENSE NO. P-0785



REVISIONS	TYPE	CONTRACT	CONTRACTOR	AS-BUILT	AUTH. DATE	BENCHMARKS
	BRIDGE	2021-011				
	SEWER					
	WATER					
	SIDEWALK					

JOB NO.	P04841-09
DESIGNED 11-2020	BY R.G.B.
CONST. SURVEY	BY
CHECKED 12-2020	BY E.E.M.
SCALE:	NTS

CITY OF GREENSBORO
 ENGINEERING DIVISION
 GREENSBORO BRIDGE REPAIRS
 BRIDGE NO. 400462
 CONSTRUCTION SEQUENCE

C
 SHEET NO.
 S4 of S25